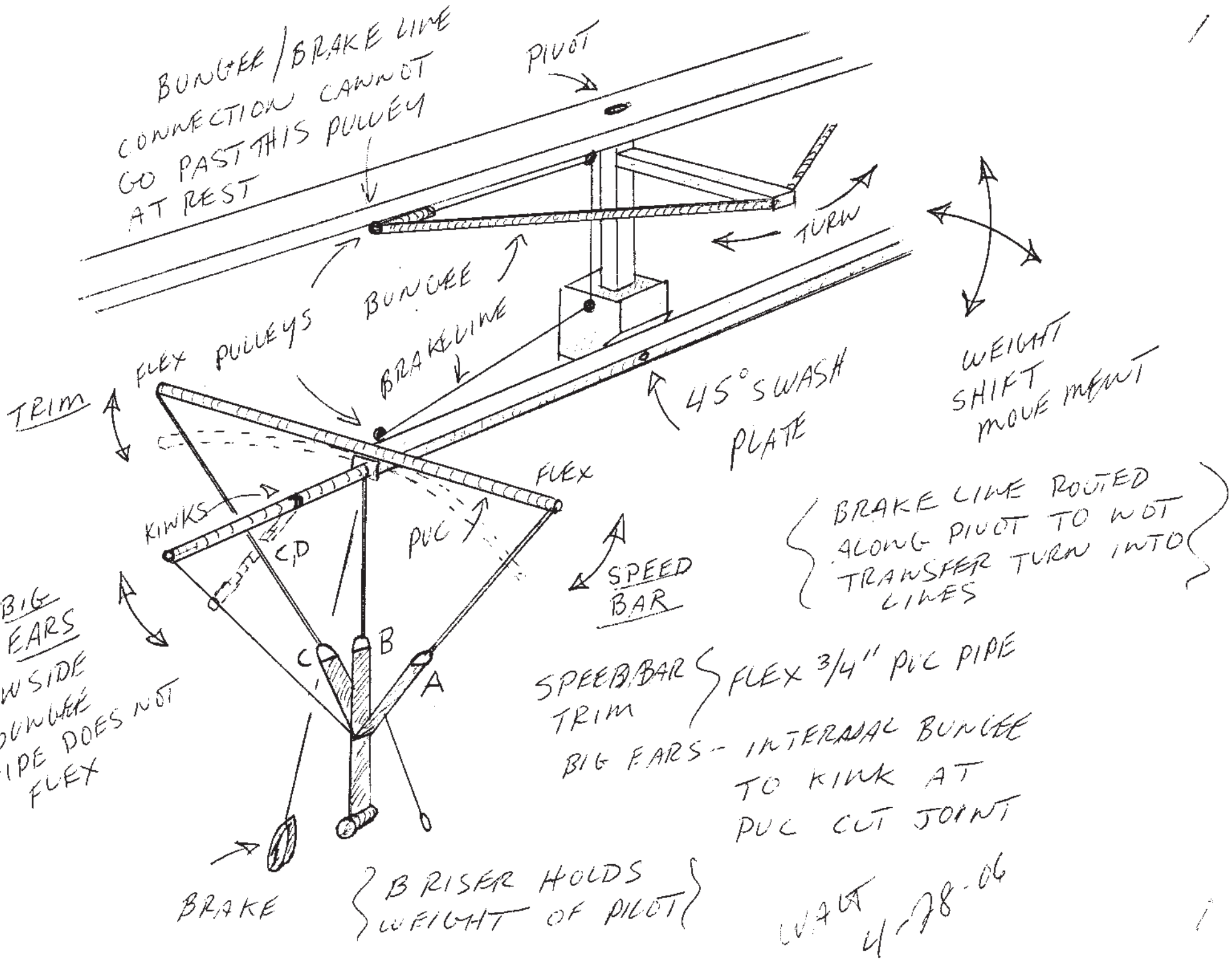


BUNGEE / BRAKE LINE CONNECTION CANNOT GO PAST THIS PULLEY AT REST



PIVOT

TURN



WEIGHT SHIFT MOVEMENT

45° SWASH PLATE

BRAKE LINE ROUTED ALONG PIVOT TO NOT TRANSFER TURN INTO LINES

TRIM

FLEX PULLEYS

BUNGEE

BRAKE LINE

FLEX

SPEED BAR

KINKS

C/D

PVC

BIG EARS

INSIDE BUNGEE PIPE DOES NOT FLEX

SPEED BAR TRIM

BIG EARS - INTERNAL BUNGEE TO KINK AT PVC CUT JOINT

BRAKE

BRISER HOLDS WEIGHT OF PILOT

WAT 4-28-06